

Connecting your DCT 2000 with Dolby Digital 5.1 Sound

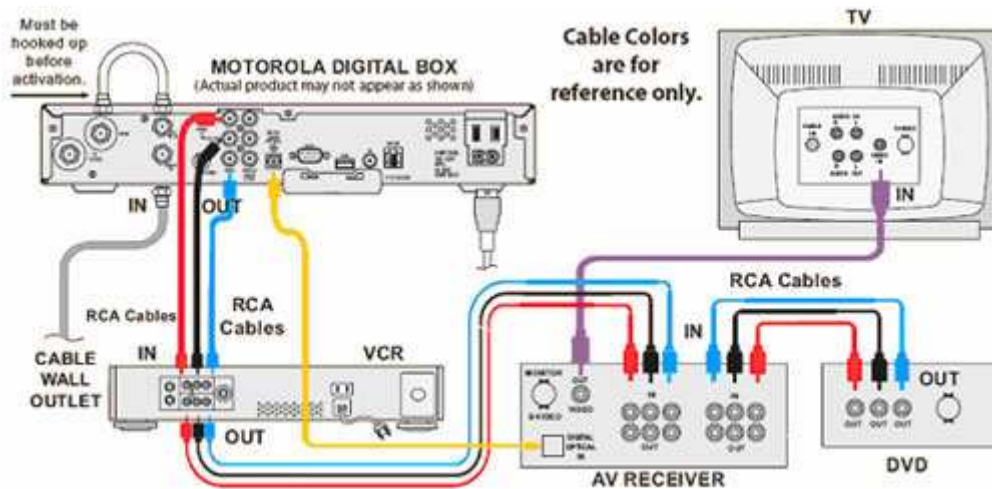
Connecting your DCT 2000 with Dolby Digital 5.1 Sound

Use your interactive programming guide to access Dolby Digital 5.1. Set up is easy with your surround sound equipment. Simply follow these easy steps to enable Dolby Digital 5.1 on your digital receiver.

Instructions

- Confirm setup of your Dolby Digital enable home theatre equipment using SPDIF and RCA cables
- Press the "MENU" button on your remote control to display the main menu
- Using the arrow keys, cursor over until "SETUP" is highlighted and press "OK"
- Again using the arrow keys, cursor down until "AUDIO" is highlighted and press "OK"
- In the AUDIO SETUP screen, cursor down to the "ON/OFF" button beside the Dolby indicator. It should be set to "OFF", cursor to the right so "ON" is displayed and highlighted. Press "OK" and then press "EXIT"
- " Press the info button on your DCT 2000 remote control to confirm that Dolby Digital is check marked on the Preview Guide display

Note: Not all DCT2000 units are equipped with an SPDIF port. Persona is not responsible for the replacement of DCT 2000 units without this port



Do not connect a VCR or game device in front of your Motorola Digital Receiver. Doing this may cause your digital terminal to fail.

Special Notes

To determine if the program you are watching is being broadcast in Dolby Digital 5.1 press ok on your DCT 2000 remote. Dolby Digital 5.1 will be indicated in the flip bar if the program is being broadcast in this format

Only programs broadcast in Dolby Digital 5.1 will indicate DD5.1 in the Prevue Guide flip bar; all other audio will indicate Dolby Digital only
Recording to a VCR while Dolby Digital 5.1 is activated on your DCT 2000 will cause the program to be recorded without audio as VCRs do not support Dolby Digital 5.1 audio