

Connecting your Digital Cable Receiver to your Picture in Picture TV

Connecting your Digital Cable Receiver to your Picture in Picture TV

Instructions

Connect the wall cable to the input of a 2-way splitter

From one of the splitter's outputs, connect a cable that will be linked to your Digital Decoder "IN"

From the second output of the splitter, connect a cable directly to the TV Cable "IN"

Using an S-Video cable, connect your Digital Decoder S-Video "OUT" to your VCR video and audio "IN"

Using RCA cables, connect your digital decoder video and audio "OUT" to your VCR video and audio "IN"

Select your VCR video input (if you need help, consult your VCR user guide)

Connect your VCR video and audio "OUT" to your TV video and audio "IN" connections

Special Notes

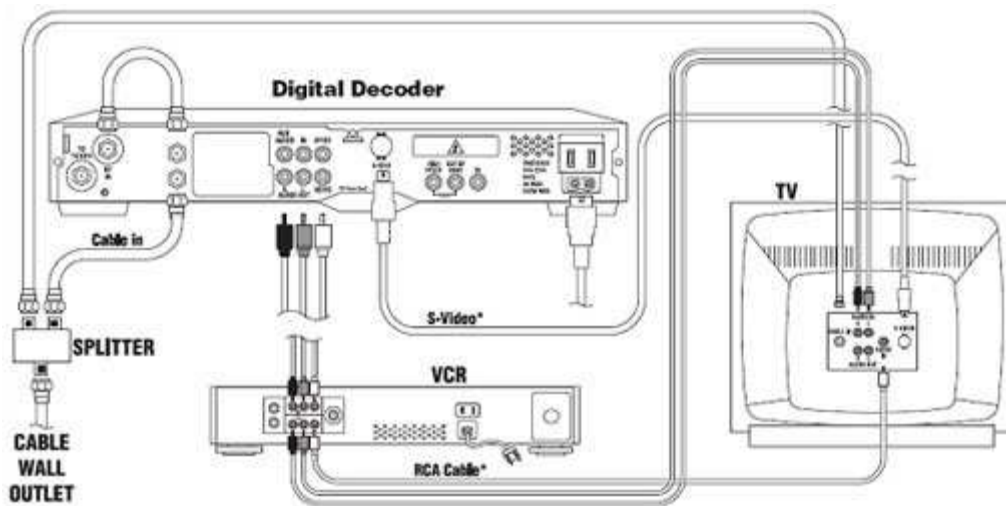
S-Video and RCA cables are not supplied by Persona, visit your local retailer to obtain these items

To change the channels on your PICTURE IN PICTURE, use your TV remote control

To change channels on your main TV screen, use your Digital Decoder's remote control

If you use multiple S-Video inputs, we suggest that you set your TV to S-Video mode

Use the input functions on your TV to select between inputs (cable, video, S-Video)



Your VCR and Video game system must be connected directly to your TV. This way you will avoid spoiling the quality of your Digital Decoder's signal.