

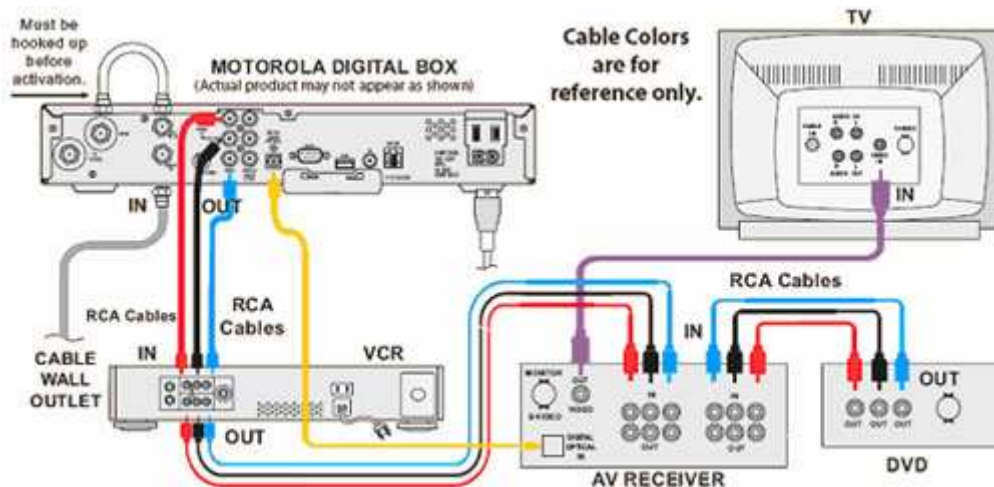
# Connecting your Home Theater System

## Connecting your Home Theater System

(Diagram below applies to DCT 2500 Model; You will require AV Receiver, 3 sets of RCA cables, S-Video Cable, Digital Optical Cable)

### Instructions

- Connect cable (grey) from wall to the cable "IN" on your Motorola Digital Receiver
- Using RCA Cables, connect the video (blue) and audio (black & red) "OUT" on your Motorola Digital Receiver to the video and audio "IN" on your VCR
- Using RCA Cables connect the video (blue) and audio (black & red) "OUT" on your VCR to the video and audio "IN" on your A/V Receiver
- Using RCA Cables connect the video (blue) and audio (black & red) "OUT" on the DVD to the video and audio "IN" on your A/V Receiver
- Connect an RCA cable (purple) from the "VIDEO OUT" on your A/V Receiver to the "VIDEO IN" on your television
- For Dolby Digital Receivers with Digital Optical port, connect Digital Optical Audio Cable (yellow) from Optical "OUTPUT" to Digital Optical "INPUT" on the A/V Receiver



Do not connect a VCR or game device in front of your Motorola Digital Receiver. Doing this may cause your digital terminal to fail.

### Special Notes

- VCR can be eliminated if you are not planning on taping using this setup
- If you do not have a DVD player you can eliminate step 4
- With this configuration, you will only be able to record the channels that you are watching
- Optional audio connections between A/V Receiver and TV can be used for TV audio speakers
- Digital Dolby Sound available when program supplier transmits in this format