

Digital Cable

DCT 2500 Wiring Guide

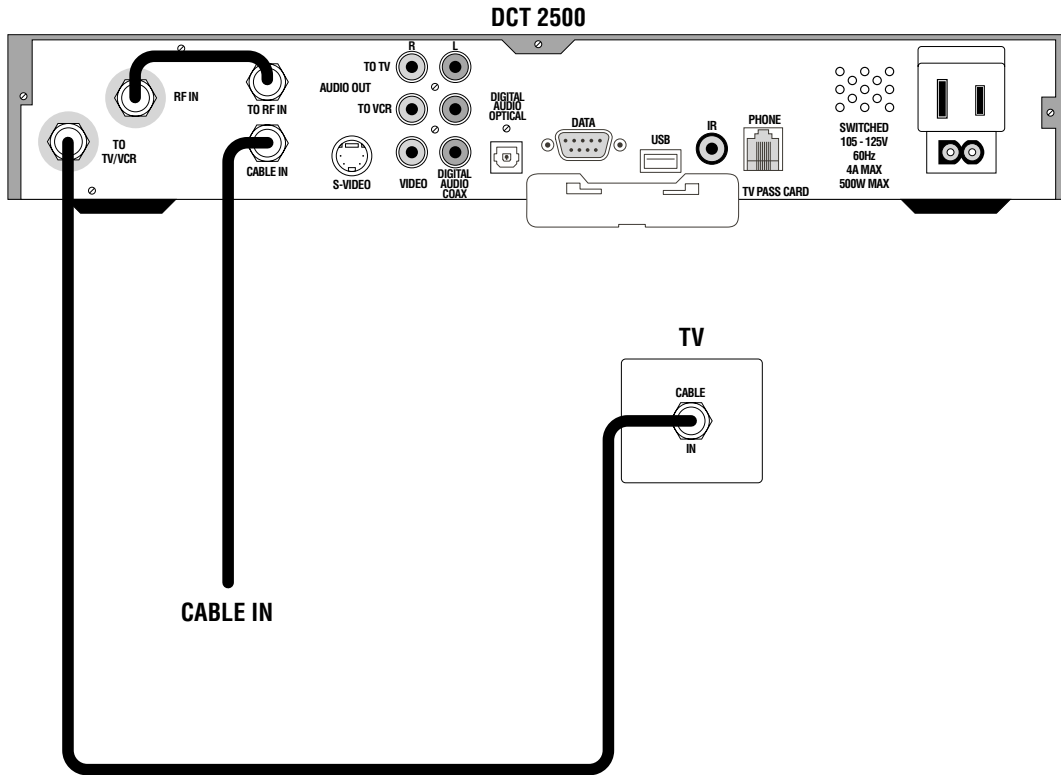
Set-Up Grid: Basic and High-End TV

Set-Up	Basic TV			High-End TV <small>Video/Audio input-output jacks on back</small>		
	Option 1	Option 2	Option 3	Option 4	Option 5	Option 6
No VCR	✓			✓		
VCR Friendly		✓				
VCR Friendly (with A/B Switch) <small>(Allows taping any analogue channel while watching any other channel or taping any channel you are watching)</small>			✓ <small>With A/B Switch</small>		✓	✓
Home Theatre AC3						✓



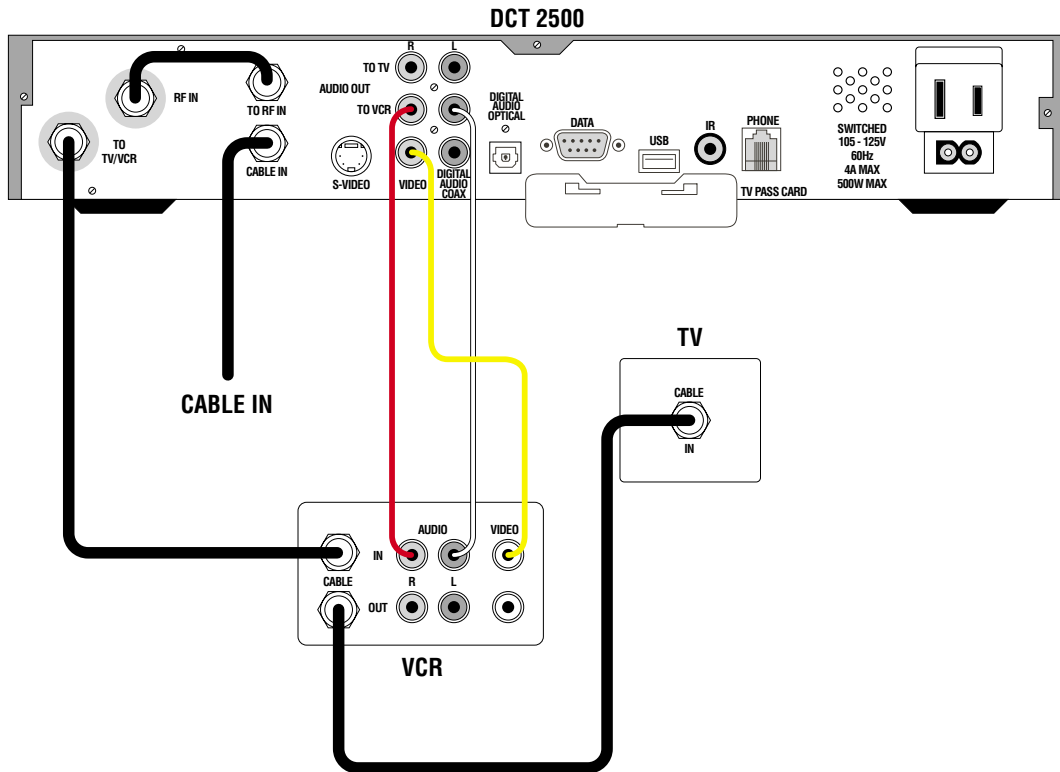
Option 1: Basic TV Set-Up

Watch all the Digital channels available in your area.



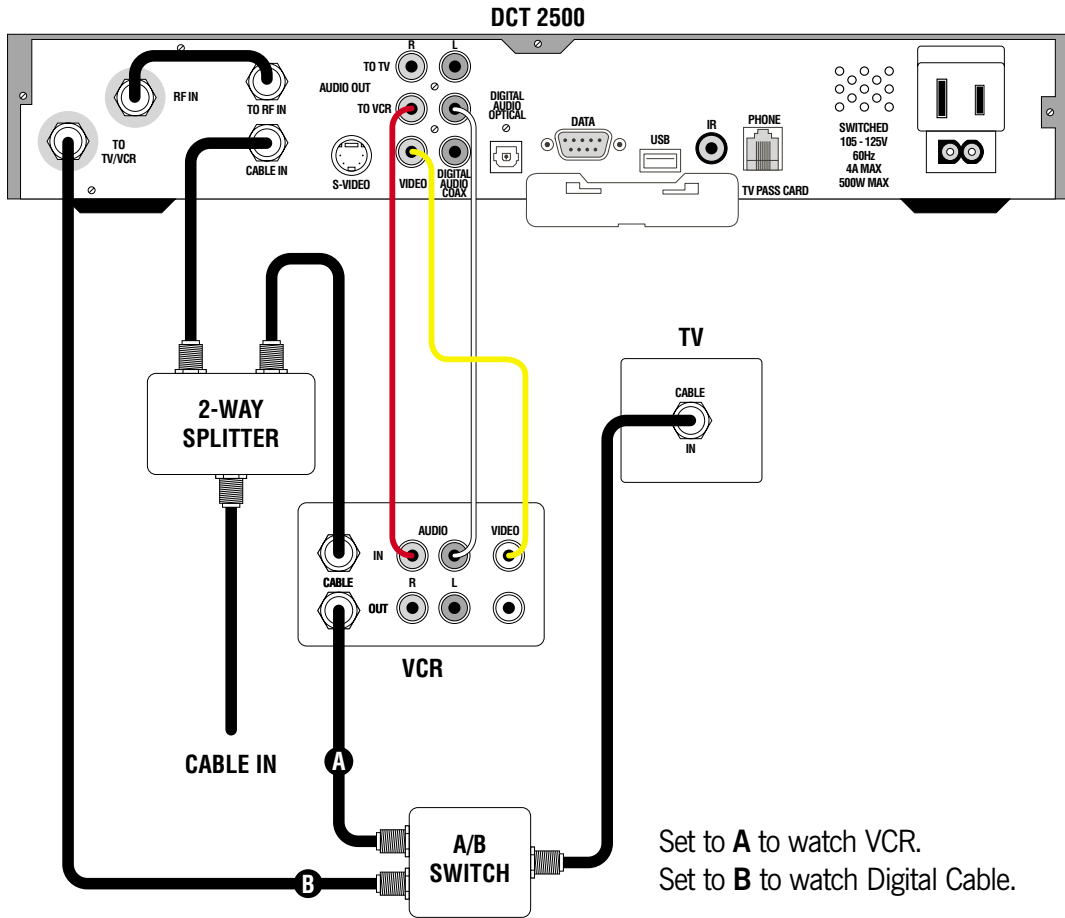
Option 2: Basic TV/VCR Set-Up

Watch all the Digital channels available in your area, tape the channels you're watching and play tapes.



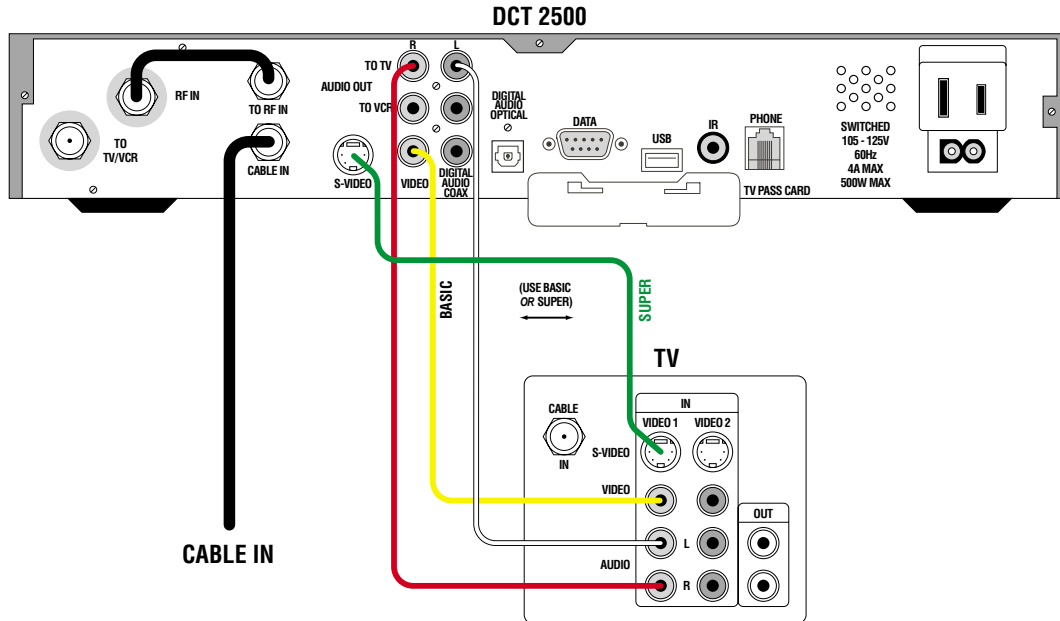
Option 3: Basic TV/VCR Set-Up

Watch all the Digital channels available in your area and, with an A/B switch, tape an analogue channel while watching any other channel.



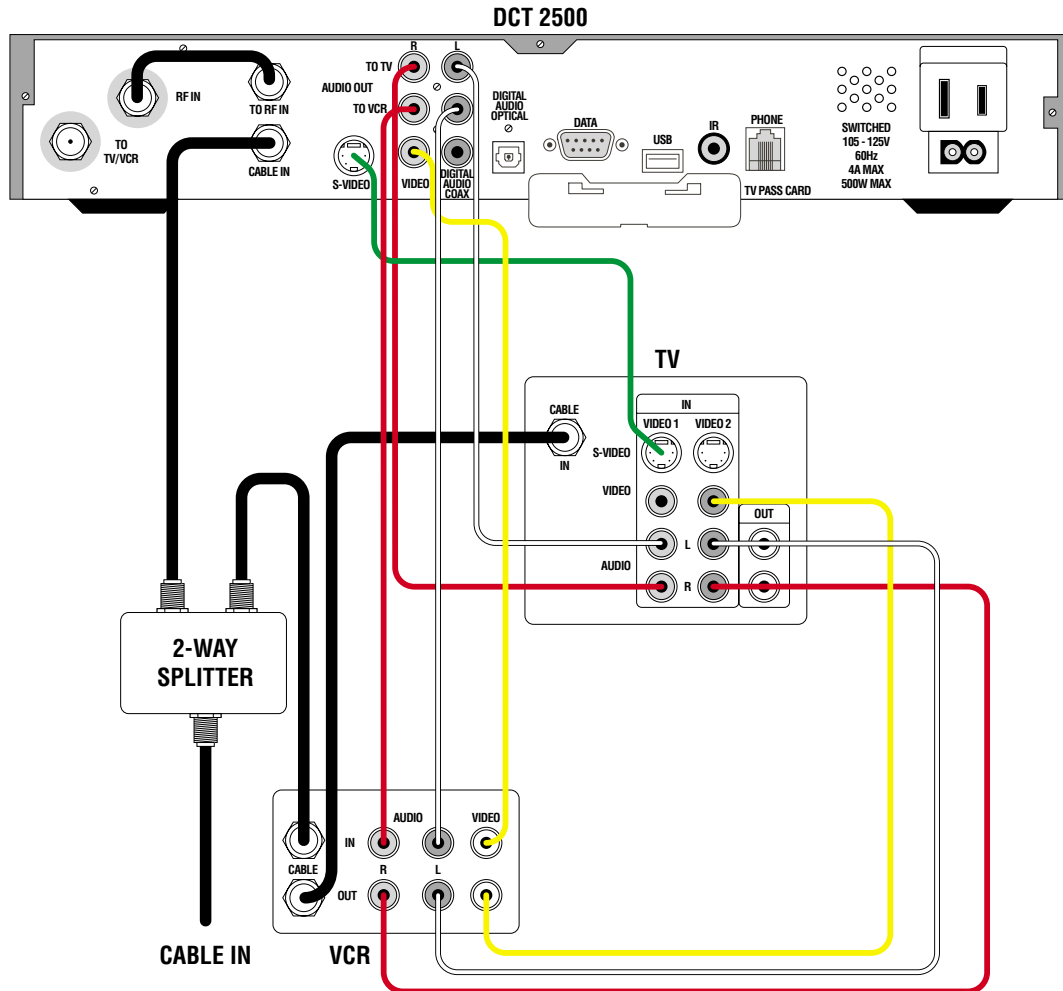
Option 4: High-End TV Set-Up

Watch all the Digital channels available in your area.



Option 5: High-End TV/VCR Set-Up

Watch all the Digital channels available in your area, tape the Digital channels you're watching, tape an analogue channel while watching any other channel, and play tapes.



Option 6: Home Theatre Set-Up

Watch all the Digital channels available in your area, tape the Digital channels you're watching, tape an analogue channel while watching any other channel, and play tapes.

